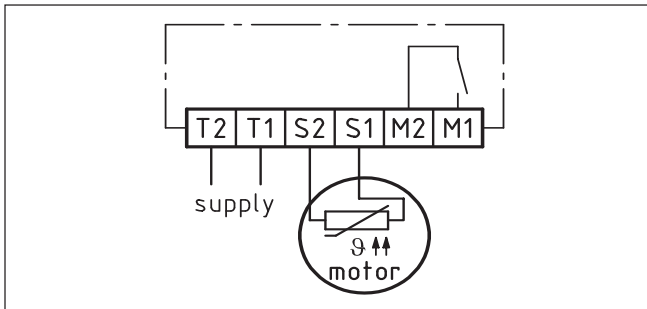


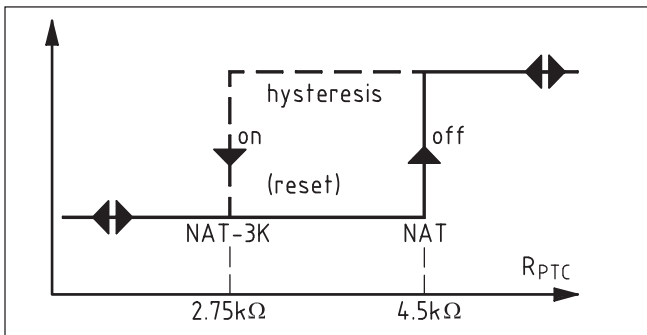
# INT69 SC<sup>®</sup> Motor protector



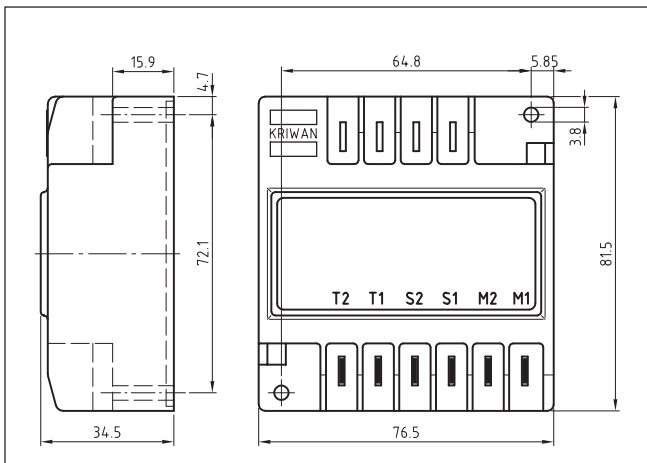
INT69 SC



Connection diagram



Switching hysteresis



Dimensions in mm

## Application

The INT69 SC motor protection module has been especially

developed for scroll refrigeration compressors.

## Functional description

Up to 9 PTC-sensors in acc. to DIN 44081/082 with different nominal response temperatures can be connected in series to the measuring circuit input. If the temperature in one of the areas monitored exceeds the nominal response temperature of the respective PTC-sensor, the sensor resistance increases and the INT69 SC control module switches off. A timer with a running time of 30min. is started. During this period of time the relay remains locked

out. When this period has elapsed or when power supply has been interrupted for approx. 5s (time reset) the relay pulls in, provided the preset resistance value has been reached. Otherwise the relay remains deenergised until the temperature has cooled down by approx. 3K or a fault in the measuring cycle has been eliminated (PTC lead open circuit). True galvanic isolation is present between sensor, relay and supply circuits (for AC modules).



The unit must be connected by trained electrical personnel. All valid standards and instructions for installing electrical

components must be observed. Maximum values for supply voltage of this unit may not be exceeded.

## Technical data

Supply	AC 50/60Hz 115/120V -15...+10% 3VA
- dual voltage	AC 50/60Hz 230/240V -15...+10% 3VA
- or	AC 50/60Hz 24V -15...+10% 3VA
Ambient temp. range	-30...+70°C
Measuring circuit	PTC acc. to DIN 44081/082
- Type	1 to 9 in series
- Number of sensors	<1800Ω
- R <sub>25, total</sub>	30min ±5min
Time delay	mains interrupt for approx. 5s
Reset	
Relay contact	max. 240V AC 2.5A C300
240V AC AgNi 90/10	min >24V AC/DC >20mA
24V AC/DC AgNi 90/10	min >100mV, >0.5mA
+ gold plating	after A single operation at AC/DC >36V or >50mA ohmic, the 240V AC values apply
Service life	approx. 1 mio. switching cycles
Protection class	
acc. to EN 60529	IP00
Approval	UL File Nr. E75899
Connection	6.3mm connectors
Housing	Ultradid <sup>®</sup> A3X2G5
Mounting	base-mounted or clamped
Dimensions	76.5 x 81.5 x 34.5mm
Weight	200g

## Ordering information

INT69 SC dual voltage	<b>22 A 402</b>
INT69 SC AC 24V	<b>31 A 402</b>

Subject to technical modification.