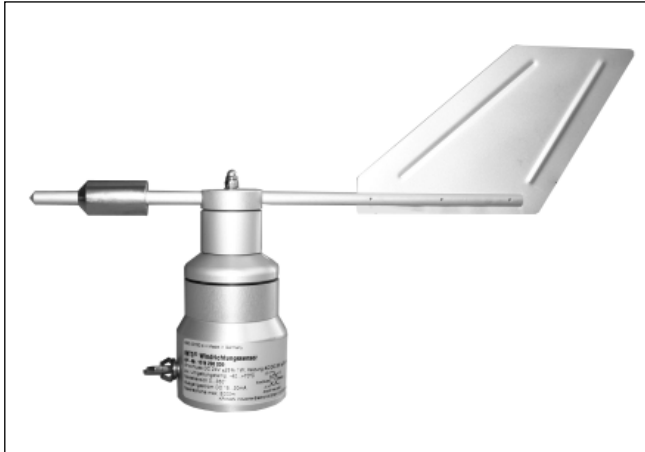


# INT3 Wind direction sensor with 16 wind directions



INT3 Wind direction sensor

### Application:

The INT3 wind direction sensor is used to record the wind direction in the greenhouse and building automation sector.

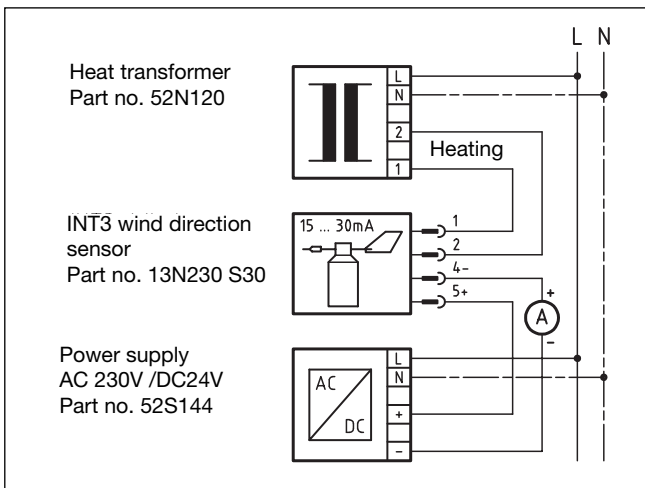
### Function:

The KRIWAN wind direction sensor INT3 records the current wind direction and converts it without contacting it into a 16-stage output signal (15...30mA). The sensor is designed to withstand storms and weather. The installed, automatic heater control means it can be used down to -40°C. Evaluation is performed separately via a measuring device or the connection on many KRIWAN greenhouse control units in the INT series. The device can be mounted easily to the mast using the wing screws included.

Its stepped output signals prevent signals being incorrectly interpreted by the connected evaluation electronic circuit.

KRIWAN wind direction sensors excel on account of the following features:

- Robust industrial design
- Low starting torques at high load capacity
- Wear-free measurement-data acquisition
- 2-conductor signal
- Simple installation, as no tools required for mounting
- Extended temperature range
- Overvoltage protection
- Impact and vibration-resistant
- UL / CSA approval
- Maintenance free



Connection diagram

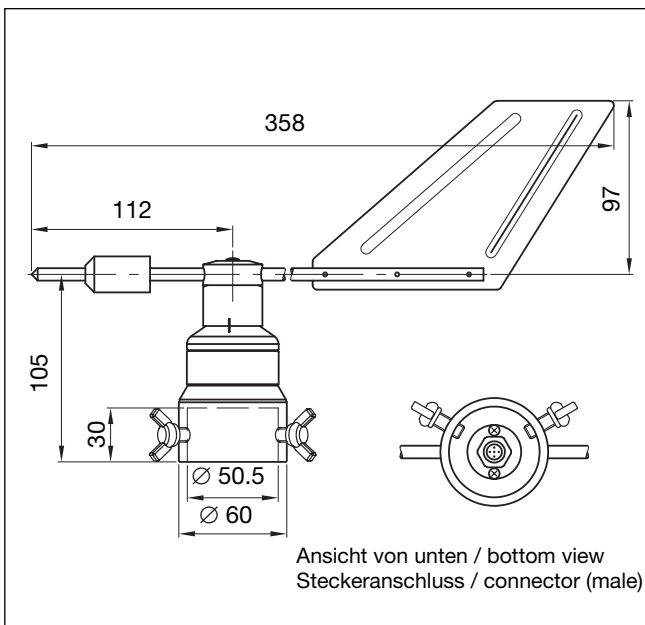


The unit must be connected by skilled electrical personnel. All valid standards for connecting electrical equipment must be observed. To avoid any consequential damage

or operational failure, through direct or indirect excitation in the event of lightning strikes, we recommend that a separate lightning protection device be fitted by the customer.

### Technical data

Measuring principle	noncontact, magnetic scanner
Measuring range	0...360°
Resolution	22.5° = 16 directions
Signal output	15..0.30mA S 15mA N 30mA SSW 17mA NNE 28mA SW 19mA NE 26mA WSW 21mA ENE 24mA W 23mA E 22mA WNW 25mA ESE 20mA NW 27mA SE 18mA NNW 29mA SSE 16mA
Supply	DC24V ±25%, reverse-polarity protection
Supply line specification	4x0.75mm <sup>2</sup>
Permissible ambient temp. range	-40... +70°C
Permissible rel. humidity	0...100% rel. hum.
Strength	for wind speeds of max. 80m/s (max. 30min)
Type of connection	5-pin plug (M12)
Load resistor	$R_{Load} \leq (U_{min} - 10)/0.03 (\Omega)$
= Line plus load resistor	$U_{min}$ = min. supply voltage
Heating	Automatic heater control, Supply voltage AC/DC 30V ±20%, max. 20VA
Protection class according to EN 60529	IP64 for vertical mounting position (mast mounting)
Mounting	Steel tube mast Ø 48mm min. Ø <sub>interior</sub> 37mm
Dimensions	60 x 115mm
Housing	Aluminium
Wind vane	Aluminium
Corrosion resistance	Seawater-resistant
Approval	UL File No. 240032
Weight	500 g
Part number	13 N 230 S30
Power supply	<b>52 S 144</b>
Heat transformer	<b>52 N 120</b>
Transducer	<b>52 N 190</b>
Mounting bracket for INT3 wind direction sensor	<b>02 N 225</b>



Dimensions in mm

Subject to technical modifications without notice.