

# Wind Measurement Transducer



Wind Measurement Transducer

### Application:

The KRIWAN wind measurement transducer especially serves to amplify the output voltage of a vane anemometer.

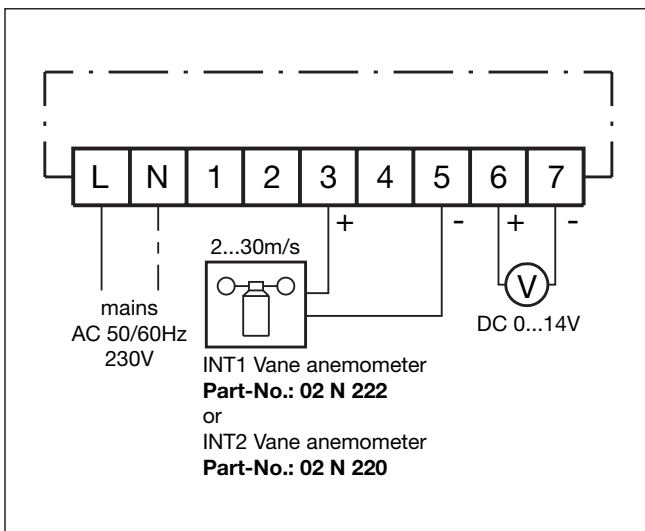
- without measurement transducer maximal **three** INT800/810 greenhouse controllers

- can be connected to one INT1/INT2 vane anemometer,
- with measurement transducer max. **fifteen** INT800/810 greenhouse controllers can be connected to one INT1/INT2 vane anemometer.

### Functional description:

The KRIWAN wind measurement transducer transforms the voltage signal of a vane anemometer into an output signal proportional to the wind speed. The input voltage (terminals 3 and 5)

is DC 0...14V, corresponding to a wind speed of 2...30m/s. The output signal (terminals 6 and 7) is DC 0...14V. The presence of mains voltage is indicated optically.

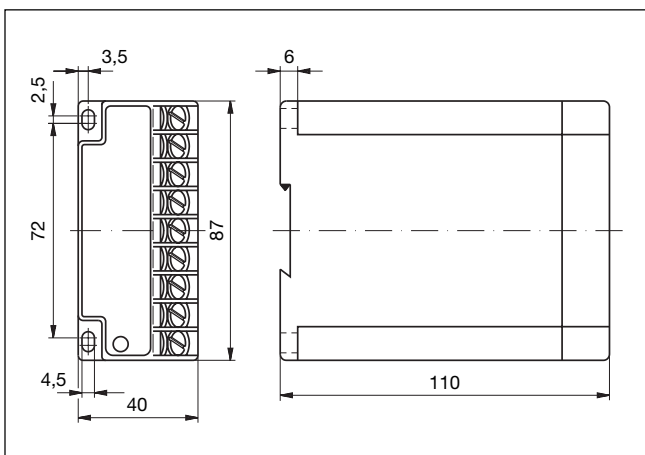


Connection Diagram



The unit must be connected by trained electrical personnel. All valid standards for connecting electrical equip-

ment must be observed. Limit values for the supply voltage of the unit may not be exceeded.



Dimensions in mm

### Technical data

Supply voltage	AC 50/60Hz 230V ± 10% 3VA
Amb. temperature range	-20...+60°C
Duty cycle	ED 100%
Input voltage	DC 0...14V
Output voltage	DC 0...14V, $R_L > 5k\Omega$
Measurement error	< 1% of measuring range
Housing	PA6 GF30
Protection class	with terminal cover: IP20 acc. to EN 60529 without terminal cover: IP00
Mounting position	any
Mounting	35mm standard rail, acc. to DIN EN 50022 or screw-mounted
Dimensions	87 x 40 x 110mm
Weight	approx. 230g
Part-No.	<b>52 N 174 S23</b>

Subject to technical modifications without notice